

PIFOC Objective Scanning System 400 μm

High Dynamics Piezo Drive for Subnanometer Resolution



PD7222x • PD7224x

- Complete system with digital controller, software, and optional QuickLock thread adapter
- USB, RS-232, analog interfaces
- Travel ranges to 400 μm
- Fine positioning of objectives with sub-nm resolution
- Zero-play, high-precision flexure guide system
- Direct position measuring with capacitive sensors
- Compatible with MetaMorph, $\mu\text{Manager}$, and MATLAB
- All servo control parameters can be changed during operation

Fields of application

- Microscopy
- Confocal microscopy
- 3-D imaging
- Screening
- Autofocus systems
- Surface analysis
- Wafer inspection
- Multiphoton microscopy

Subnanometer resolution with capacitive sensors

Capacitive sensors measure with subnanometer resolution without contacting. They guarantee excellent linearity of motion, long-term stability, and a bandwidth in the kHz range.

Maximum accuracy due to direct position measuring

Motion is measured directly at the motion platform without any influence from the drive or guide elements. This allows optimum repeatability, outstanding stability, and stiff, fast-responding control.

Extensive software for rapid start of productive operation

Thanks to support of MATLAB and NI LabVIEW as well as all common operating systems (Windows, Linux, and macOS), integration succeeds in virtually every environment – quickly and efficiently. Sophisticated programming examples and software tools such as PIMikroMove shorten the time to productive operation considerably.

Specifications

	PD72Z2CAA* PD72Z2CAQ** PD72Z2CA0***	PD72Z4CAA* PD72Z4CAQ** PD72Z4CA0***	Unit	Tolerance
Active axes	Z	Z		
Motion and positioning				
Integrated sensor	Capacitive	Capacitive		
Travel range, closed loop	250	400	µm	
Resolution, closed loop	1.5	2.5	nm	typ.
Linearity error, closed loop	0.06	0.06	%	typ.
Repeatability	±5	±5	nm	typ.
Tilt θ_x	6	10	µrad	typ.
Tilt θ_y	45	45	µrad	typ.
Crosstalk in X	20	60	nm	typ.
Crosstalk in Y	40	60	nm	typ.
Settling time (0.5 µm step with 5 % accuracy, 150 g)	15	20	ms	typ.
Mechanical properties				
Stiffness in motion direction	0.17	0.12	N/µm	±20 %
Resonant frequency, no load	330	230	Hz	±20 %
Resonant frequency under load, 150 g	140	120	Hz	±20 %
Push/pull force capacity in motion direction	100 / 20	100 / 20	N	max.
Drive properties				
Piezo ceramic	PICMA® P-885	PICMA® P-885		
Miscellaneous				
Operating temperature range	10 to 50	10 to 50	°C	
Material	Aluminum	Aluminum		
Mass	0.23	0.23	kg	±5 %
Cable length	1.5	1.5	m	+50 mm / -0 mm
Piezo controller	E-709 servo (in the scope of delivery)			
Interface / communication	USB, RS-232			
I/O connector	HD D-sub 26 1 analog input 0 to 10 V 1 sensor monitor 0 to 10 V 1 digital input (LVTTTL, programmable) 1 analog output 5 digital outputs (LVTTTL, 3 × predefined, 2 × programmable)			
Command set	PI General Command Set (GCS)			
User software	PIMikroMove			
Software drivers	NI LabVIEW drivers, shared libraries for Windows and Linux			
Supported functions	Wave generator, data recorder, autozero, trigger I/O, MATLAB, MetaMorph, µManager			
Controller dimensions	160 mm × 96 mm × 33 mm			

* With M32 QuickLock thread adapter with large aperture

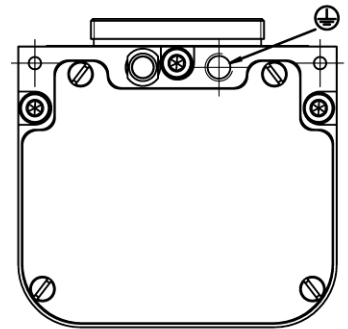
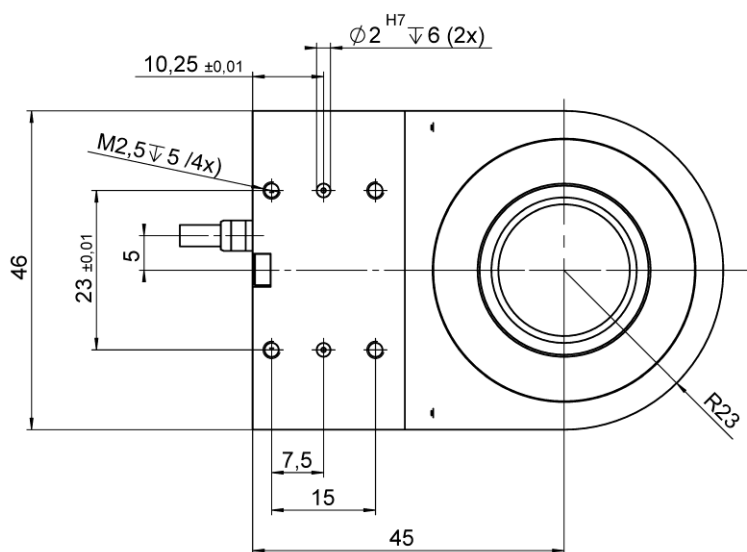
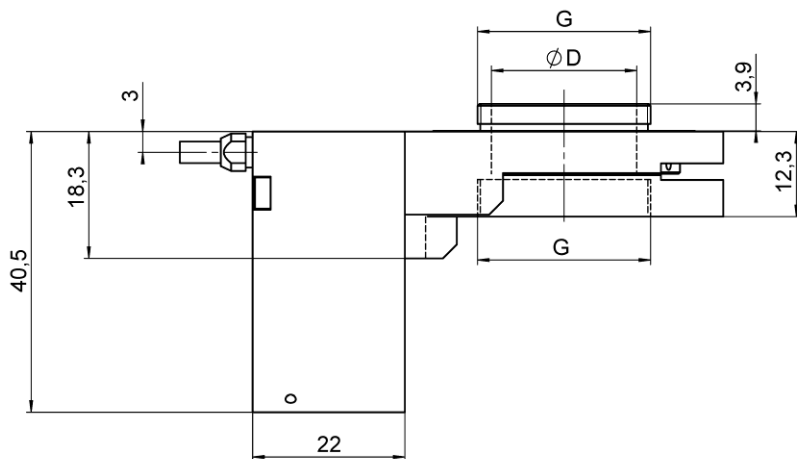
** With M25 QuickLock adapter

*** Without QuickLock adapter (can be ordered separately)

The resolution of the system is limited only by the noise of the amplifier and the measuring technology because PI piezo nanopositioning systems are free of friction.

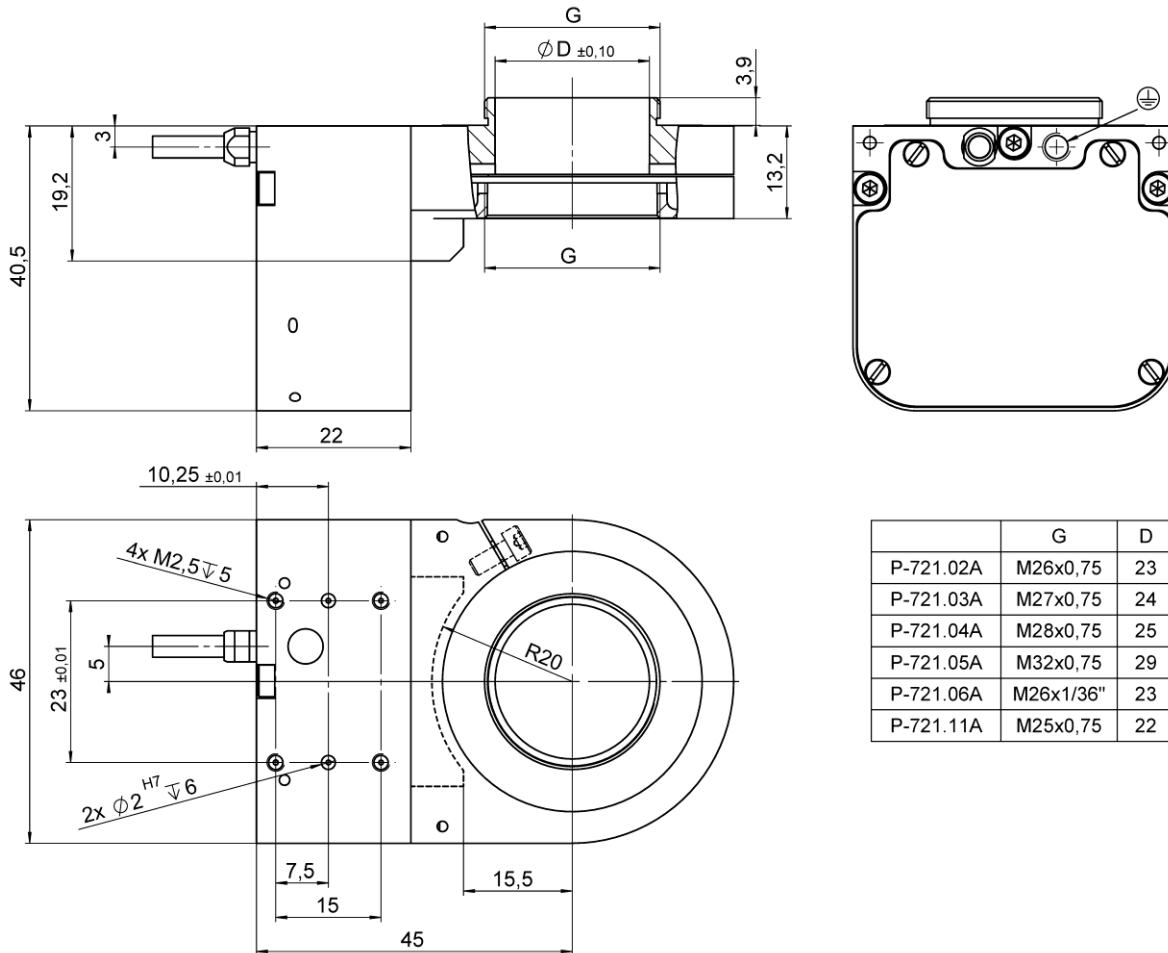
All specifications based on room temperature (22 °C ±3 °C).

Drawings / Images

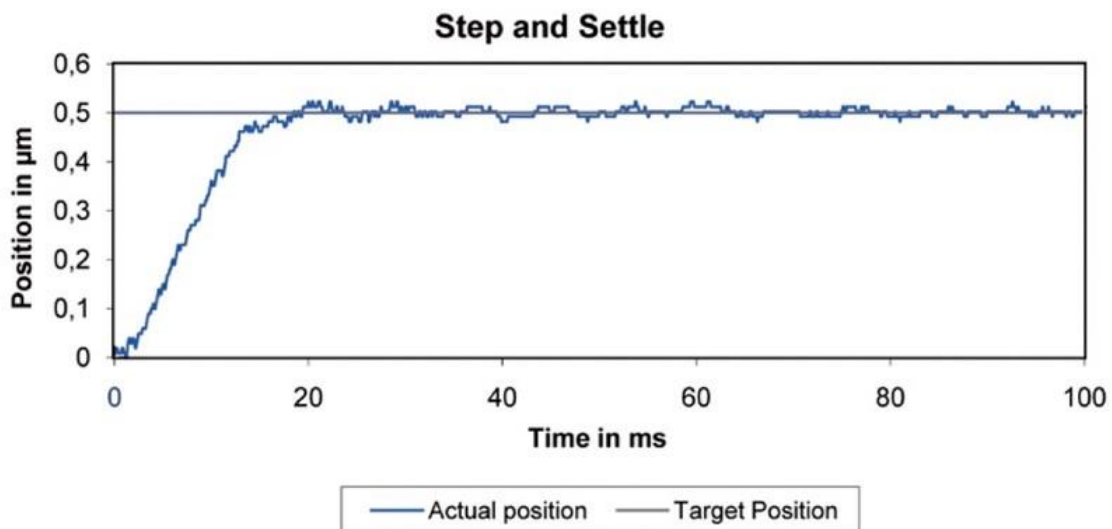


	G	D
P-721.02Q	M26x0,75	21
P-721.03Q	M27x0,75	21
P-721.04Q	M28x0,75	21
P-721.05Q	M32x0,75	21
P-721.06Q	M26x 1/36"	21
P-721.08Q	M19x0,75	14
P-721.11Q	M25x0,75	21
P-721.12Q	W0,8x1/36"	14

PD72ZxCAQ / PD72ZxCA0, dimensions in mm. P-721.xxQ: Suitable PIFOC QuickLock thread adapters.



PD72ZxCAA, dimensions in mm. P-721.xxA: Suitable PIFOC QuickLock thread adapters.



Settling time of 20 ms with 150-g objective (PD72Z4CAQ system, measured with a laser interferometer)

Ordering Information

PD72Z2CAA

Fast PIFOC piezo nanofocusing system, 250 μm , capacitive sensor, M32 QuickLock thread adapter with large aperture, digital controller with USB, RS-232

PD72Z2CAQ

Fast PIFOC piezo nanofocusing system, 250 μm , capacitive sensor, M25 QuickLock adapter, digital controller with USB, RS-232

PD72Z2CA0

Fast PIFOC piezo nanofocusing system, 250 μm , capacitive sensor, digital controller with USB, RS-232

PD72Z4CAA

Fast PIFOC piezo nanofocusing system, 400 μm , capacitive sensor, M32 QuickLock thread adapter with large aperture, digital controller with USB, RS-232

PD72Z4CAQ

Fast PIFOC piezo nanofocusing system, 400 μm , capacitive sensor, M25 QuickLock adapter, digital controller with USB, RS-232

PD72Z4CA0

Fast PIFOC piezo nanofocusing system, 400 μm , capacitive sensor, digital controller with USB, RS-232