

## Microscope Slide Holder

---

FOR PINANO □ PIEZO STAGES

P-545.SH3



### Order Information

**P-545.SH3**

Microscope Slide Holder for PInano® Piezo Stages  
Ask about custom designs!

### Related Products

[P-545.xC7 PInano® Cap XY\(Z\) Piezo System](#)

[P-545.xD7 PInano® Trak Piezo Tracking System](#)

[P-545.xR7 PInano® XY\(Z\) Piezo System](#)

[P-545.PD3 Petri Dish Holder](#)

[P-545.PP3 Plain Plate](#)

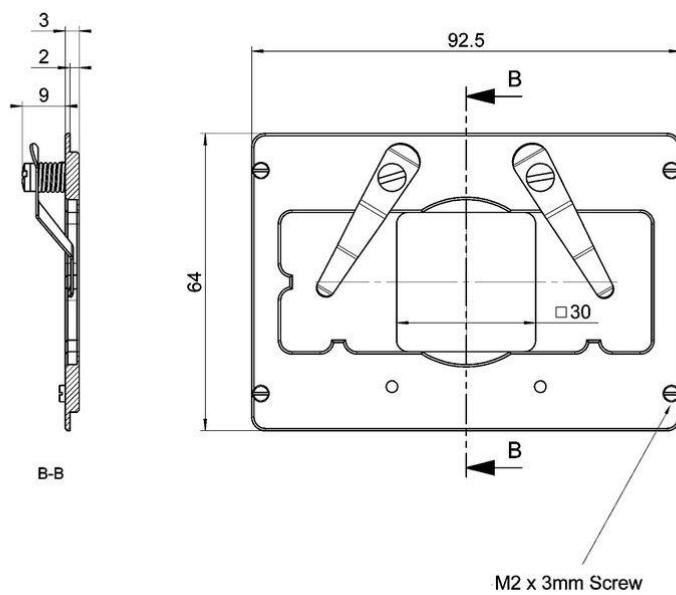
[P-736 PInano® Z Microscope Scanner](#)

[M-545 Open- Frame Microscope Stage](#)

[M-545.SHP Adapter Plate](#)

[P-733.AP1 Adapter Plate](#)

## Drawings / Images



P-545.SH3,  
dimensions in mm