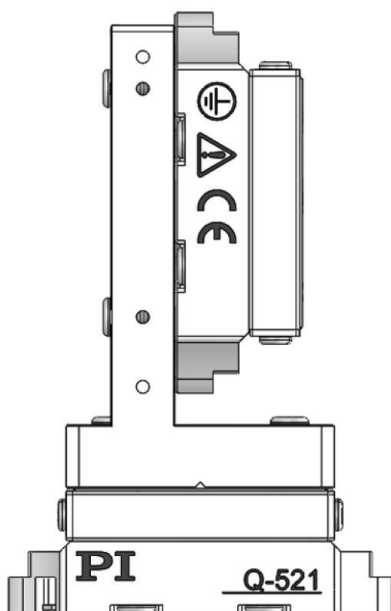


Adapter Brackets and Adapter Plate

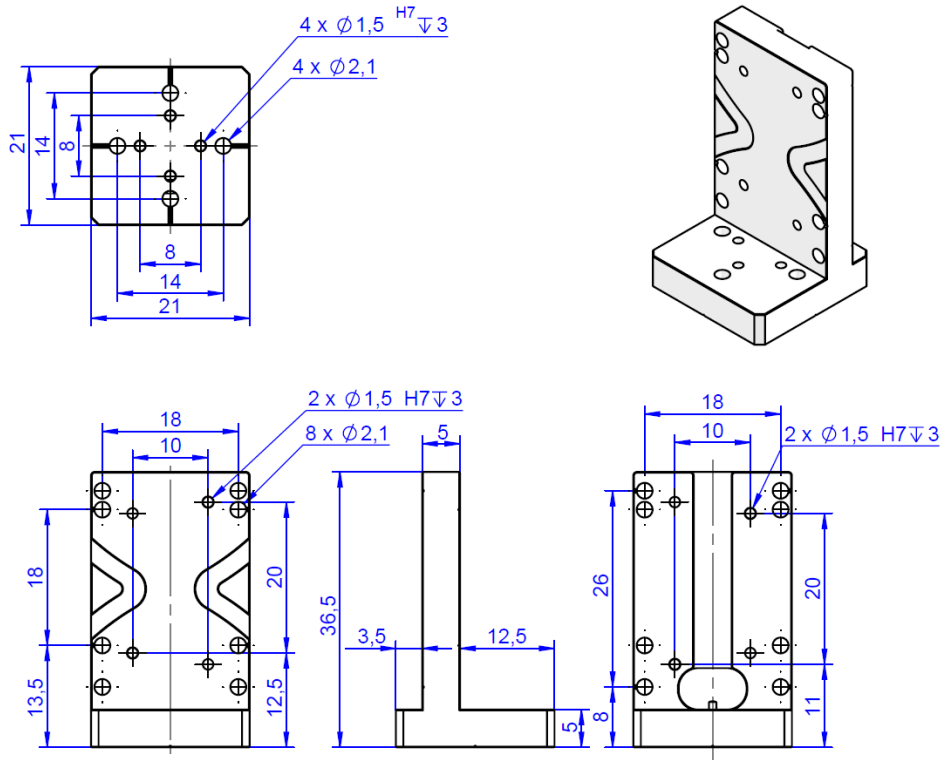
For Mounting Q-521 Miniature Linear Stages



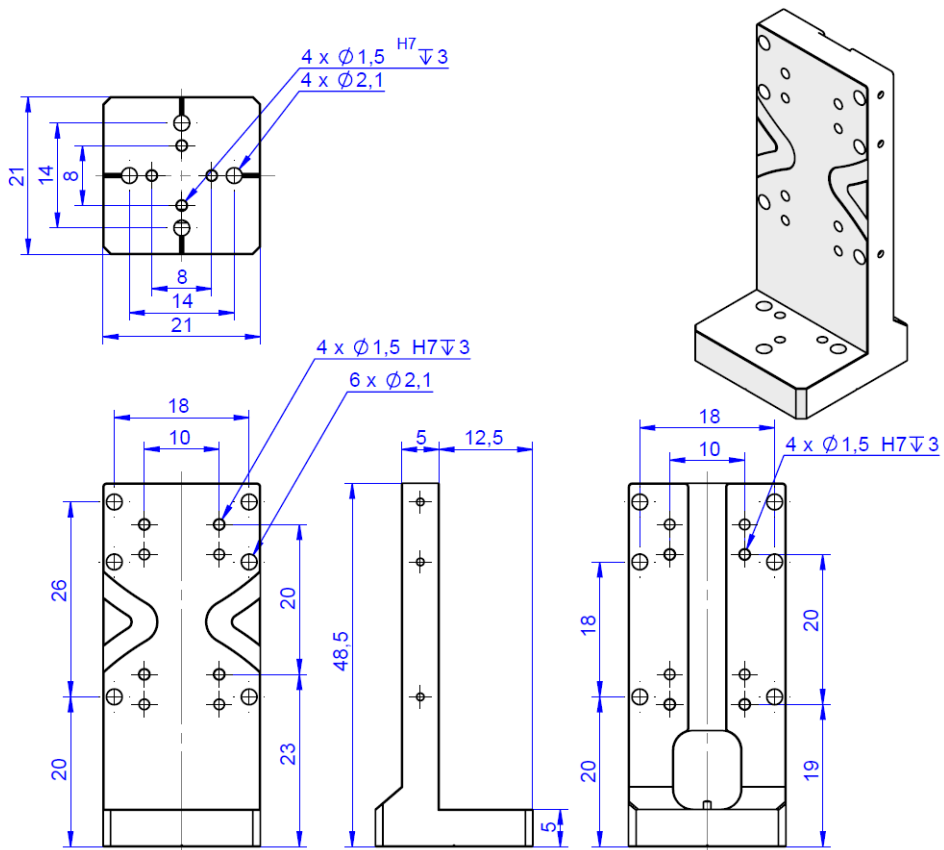
Q-121

- For setup of multi-axis systems
- For vertical and XY mounting
- For travel ranges of 12, 22, and 32 mm

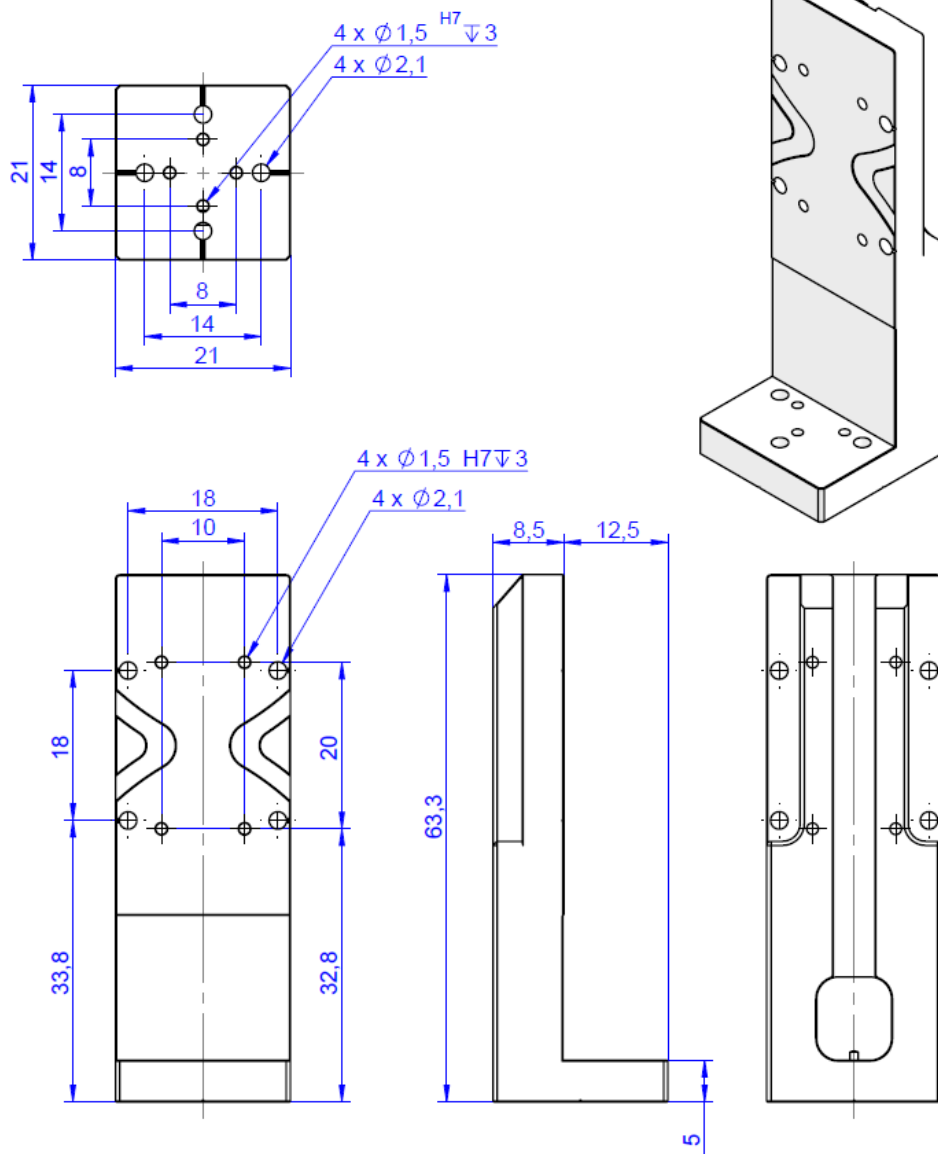
Drawings / Images



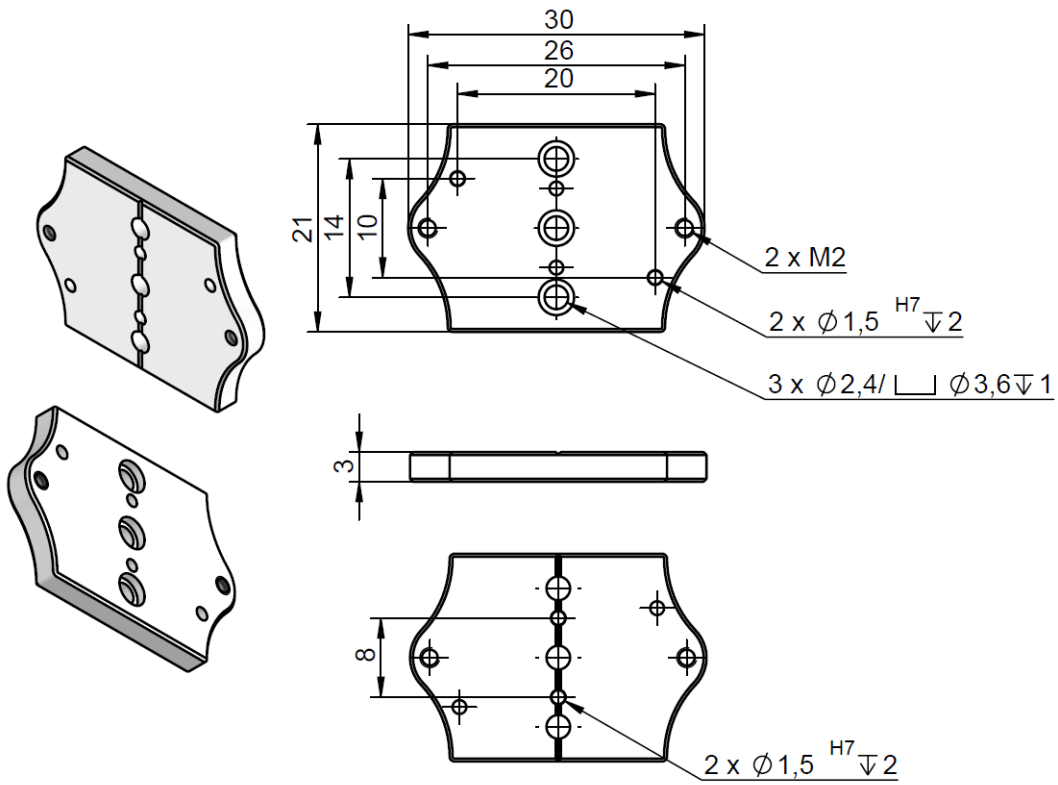
Adapter bracket Q-121.10U, dimensions in mm



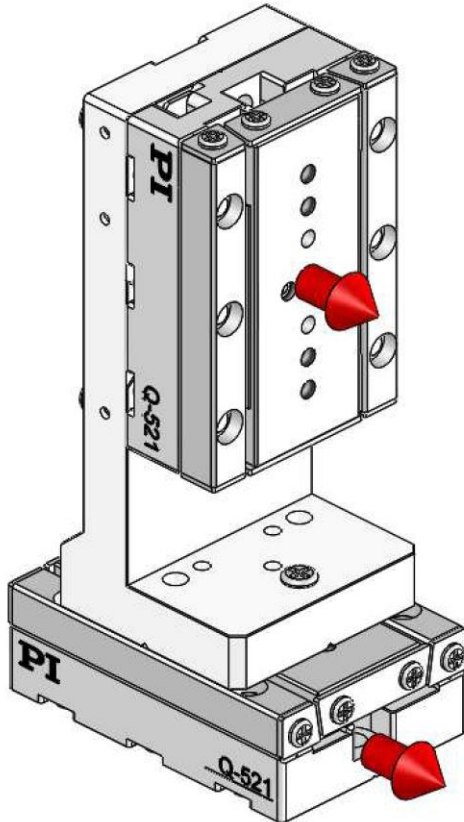
Adapter bracket Q-121.20U, dimensions in mm



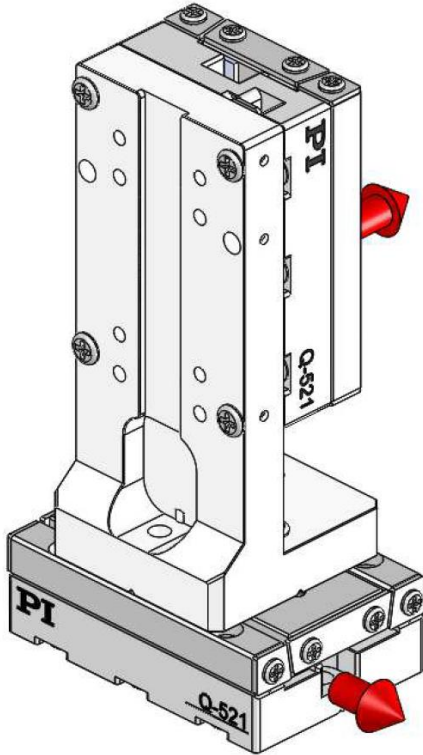
Adapter bracket Q-121.30U, dimensions in mm



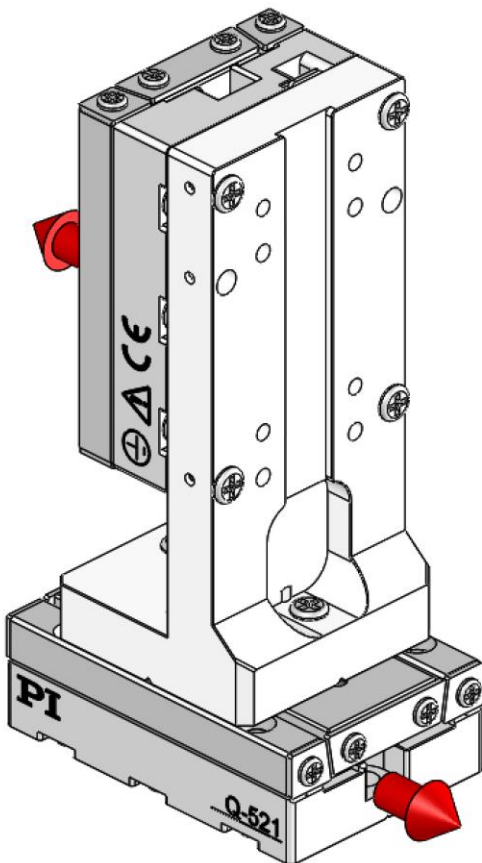
Adapter plate Q-121.80U, dimensions in mm



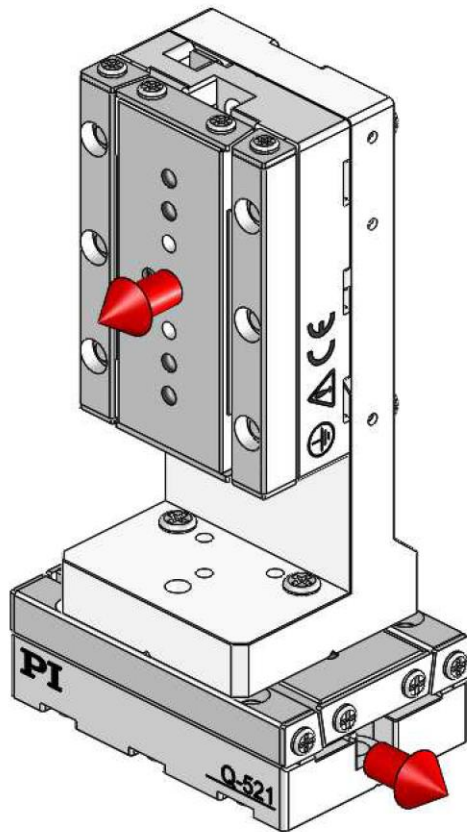
0° orientation of adapter bracket and upper axis to the lower axis



90° orientation of adapter bracket and upper axis to the lower axis



180° orientation of adapter bracket and upper axis to the lower axis



270° orientation of adapter bracket and upper axis to the lower axis

Ordering Information

Q-121.10U

Adapter bracket for vertical mounting of Q-521 miniature linear stages with 12 mm travel range, not anodized

Q-121.20U

Adapter bracket for vertical mounting of Q-521 miniature linear stages with 22 mm travel range, not anodized

Q-121.30U

Adapter bracket for vertical mounting of Q-521 miniature linear stages with 32 mm travel range, not anodized

Q-121.80U

Adapter plate for XY mounting of Q-521 miniature linear stages, not anodized