

Q-Motion® Miniature Rotation Stage

Minimum Dimensions: 14 mm Turntable Diameter



Q-614

- Only 18 mm in width and 10 mm in height
- Rotation range >360°
- Velocity 70 °/s
- Drive torque 5 mN·m
- Suitable for vacuum to 10⁻⁶ hPa, versions to 10⁻⁹ hPa available

Piezoelectric inertia drive

Piezo inertia drives are space-saving and affordable piezo-based drives with relatively high holding forces and a virtually unlimited travel range. The inertia drive principle is based on a single piezoelectric actuator that is controlled with a modified sawtooth voltage provided by special driver electronics. The actuator expands slowly and moves the runner. Due to its inertia, the runner is unable to follow the subsequent fast contraction of the actuator and remains at its position. With an operating frequency of up to 20 kHz, the drives acting directly on the runner and achieve velocities of max. 70 °/s

Application fields

Microassembly, Photonics, Optical alignment, Microscopy, Beamline instrumentation, Semiconductor technology, Testing

Specifications

Motion and positioning	Q-614.900	Q-614.90U	Unit	Tolerance
Active axis	θ_z	θ_z		
Rotation range	>360	>360	°	
Resolution	1 ⁽¹⁾	1 ⁽¹⁾	μrad	
Minimum incremental motion	100 ⁽¹⁾	100 ⁽¹⁾	μrad	typ.
Maximum velocity, open-loop	70	70	°/s	

(1) open loop

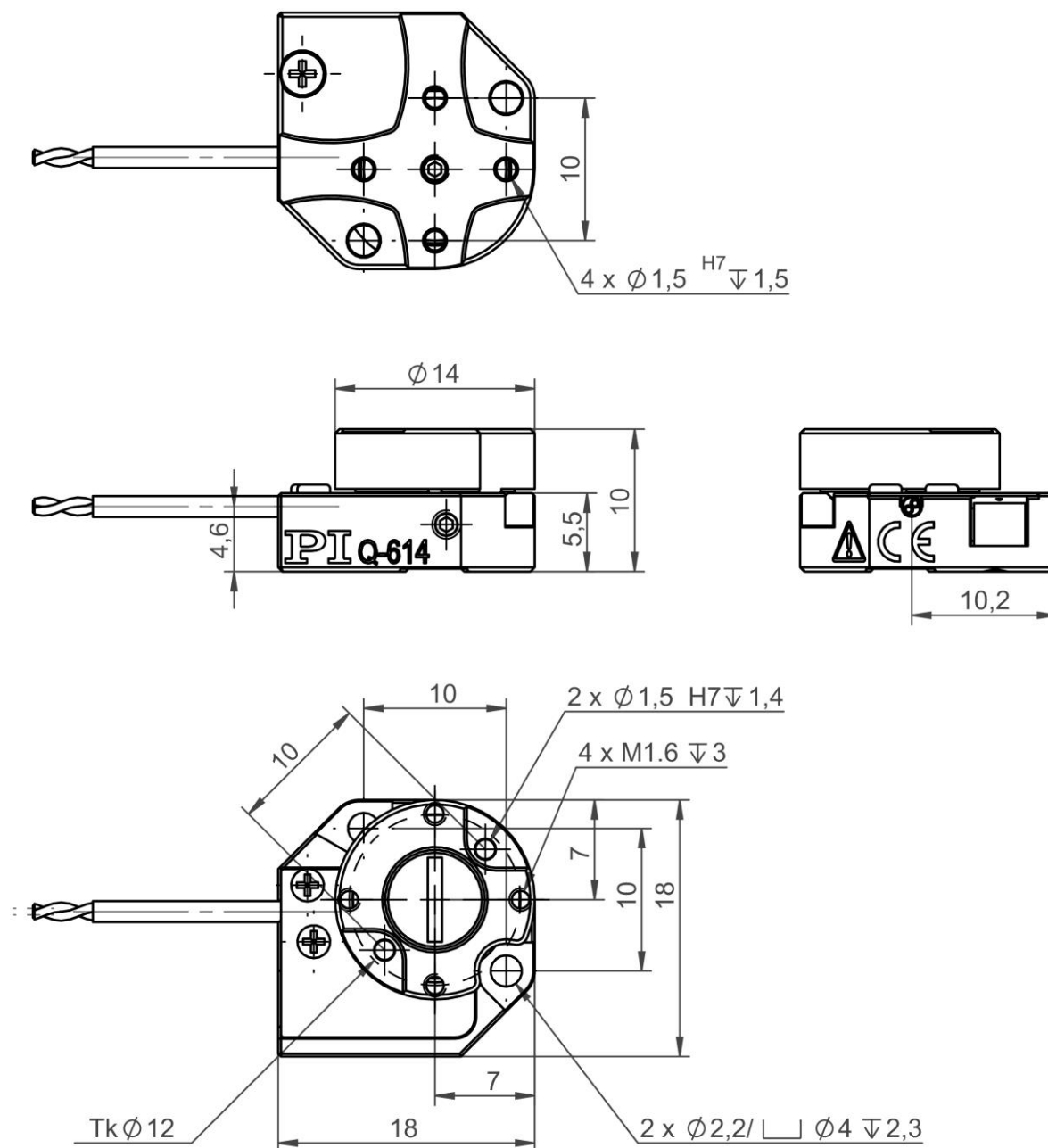
Mechanical properties	Q-614.900	Q-614.90U	Unit	Tolerance
Load capacity	1	1	N	
Holding torque, power off	6	6	mN·m	min.
Torque	5	5	mN·m	typ.
Length	18	18	mm	
Width	18	18	mm	
Height	10	10	mm	
Turntable diameter	14	14	mm	

Drive properties	Q-614.900	Q-614.90U	Unit	Tolerance
Motor type	Piezoelectric inertia drive	Piezoelectric inertia drive		

Miscellaneous	Q-614.900	Q-614.90U	Unit	Tolerance
Operating temperature range	0 to 40	0 to 40	°C	
Material	Aluminum, steel	Aluminum, steel		
Mass without cable	9	9	g	
Cable length	1	1	m	
Connector	Sub-D 15 (m)	Sub-D 15 (f)		
Recommended electronics	E-872.401	E-872.401		

For operation in a vacuum, we recommend a reduced duty cycle of 20% and a reduced rotation speed of 50% compared to a standard environment. Ask about customized versions.

Drawings / Images



Q-614, Dimensions in mm

Ordering Information

Q-614.900

Q-Motion® rotation stage, piezoelectric inertia drive, >360° rotation range, without position sensor for open-loop operation, 5 mNm torque, 14 mm diameter, vacuum compatible to 10^{-6} hPa

Q-614.90U

Q-Motion® rotation stage, piezoelectric inertia drive, >360° rotation range, without position sensor for open-loop operation, 5 mNm torque, 14 mm diameter, vacuum compatible to 10^{-9} hPa