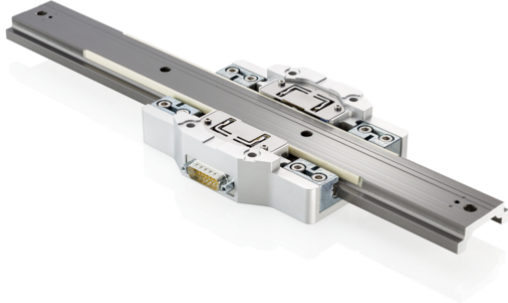


## OEM Piezomotor Linear Drive

COST- EFFECTIVE FOR AUTOMATION

### U-264KSPA



- + Travel range 200 mm (optional 100 to 300 mm)
- + Integrated linear encoder, 0.6 µm resolution
- + Self- locking at rest, requires no current
- + Velocity to 150 mm/ s
- + Holding force 6 N
- + PLine® ultrasonic piezomotors

### Fast OEM linear drive

Light- weight, cost- effective design made of aluminum or optionally from engineering thermoplastics for series production. With plain bearing guides for integration into guided systems. Integrated linear encoder for reliable position control, repeatable accuracy. Optical reference point switch

### PLine® ultrasonic piezomotors

Ceramic direct drive as cost- effective alternative to motor- spindle combinations or electromagnetic linear motors. Self- locking at rest, thus no heat generation. Excellent start / stop dynamics. Easy integration by coupling the guided load to the moving runner

### Fields of application

OEM drives in automation. For handling tasks and precision positioning systems, micromanipulation, metrology

## Specifications

| Preliminary data              | U-264KSPA                              |
|-------------------------------|--|
| Active axes                   | X                                      |
| <b>Motion and positioning</b> |  |
| Travel range                  | 200                                    |
| Integrated sensor             | Linear encoder                         |
| Sensor resolution             | 0.6 µm                                 |
| Min. incremental motion       | 6 µm                                   |
| Unidirectional repeatability  | 10 µm                                  |
| Bidirectional repeatability   | 10 µm                                  |
| Velocity (closed- loop)       | 100 mm/ s                              |
| Maximum velocity              | 150 mm/ s                              |
| <b>Mechanical properties</b>  |  |
| Maximum push / pull force     | 6 N                                    |
| Holding force                 | 6 N                                    |
| Lateral force                 | 0, external guiding required           |
| <b>Drive properties</b>       |  |
| Motor type                    | 2x PLine® U-164 ultrasonic piezomotors |
| Current consumption           | 2 A                                    |
| Reference point switch        | Optical                                |
| <b>Miscellaneous</b>          |  |
| Operating temperature range   | 10 - 40 °C                             |
| Material                      | Aluminum                               |
| Mass                          | 1 kg                                   |

|              |   |
|--------------|---|
| Cable length | Sub- D 15f to Sub- D 15m cable required as accessory< 2 m without signal amplification< 6 m in auto- resonant operation |
| Connector    | Sub- D 15m  |

Ask about custom designs!  
\* Notation

## Order Information

### U-264KSPA

PILine® Linear Actuator with Ultrasonic Motor and Linear Encoder, 200 mm

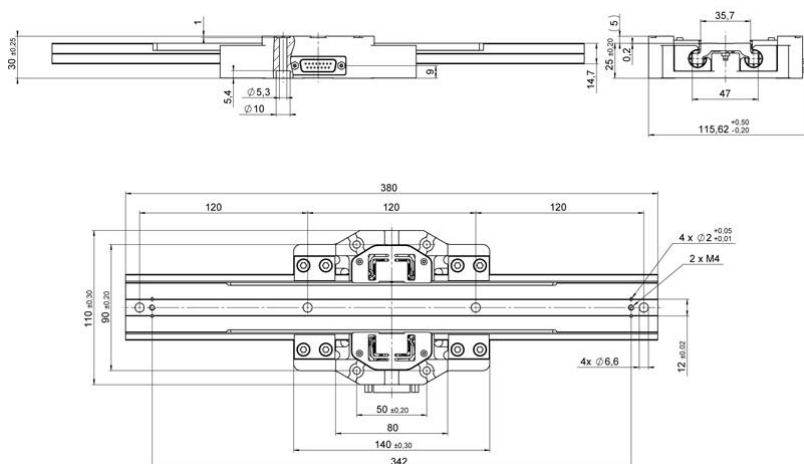
## Related Products

[M-272 Ceramic Linear Drive for Automation](#)

[U-264 RodDrive OEM Piezomotor Direct Drive](#)

[C-867 PLine® Motion Controller](#)

## Drawings / Images



U-264KSPA,  
dimensions in mm